



PBM-0416

PIPE BENDING MACHINE

Robust and safe for the operator
Wide bending range
PTO available for mandrel feeding
Equipped with winch for Pipe Handling
Polyurethane lined bending sets available



PIPELINE SOLUTIONS



BASIC MACHINE DATA

ENGINE

Model	Yanmar 3tnm72
Net Flywheel power	17,1 kW
Governed speed	3600 rpm
Displacement	0,9L - 3 vertical cylinders
Total Battery Capacity	100Ah

REFILL CAPACITIES

Fuel tank	36L
Hydraulic oil tanks	54L

HYDRAULIC SYSTEM

Pump type	Gear pump
Pump pressure max	210 bar
Maximum oil flow	61 liters/min

ELECTRICAL SYSTEM

Operative Voltage	12V
Maintenance free batteries	1x12V
Total Rating	100Ah

HYDRAULIC CYLINDERS

Outboard cylinder	2x 150mm x 250mm
Inboard cylinder	2x 120mm x 135mm
Wedge cylinder	1x 100mm x 520mm
Clamp cylinder	-

FRAME

High resistance carbon steel S355JR

WINCH

Type	hydraulic worm gear winch
Maximum operating pressure	130 bar
Maximum feed flow rate	40 lt/min
Rated pull 1st Layer	2200 kg
Rape lenght	18 m
Rapee diameter	8 mm
Maximum Speed 1st Layer	5,5 m/min

AUXILIARIES

Hydraulic PTO for mandrel	quick coupling 1/2"
---------------------------	---------------------



Hydraulic or pneumatic mandrels

In addition to the full range of pipe bending machines, EPE offers pipe bending hydraulic mandrels to optimize bending operation in case of light wall thicknesses, avoiding buckling of the pipe.

We offer manual (up to 14") or hydraulic mandrels with up to two motors in a wide range of sizes which can be easily fed through the dedicated PTO outlet of the bending machine.

Pipe rollers

Pipe drive rollers complete of ball bearings rollers easy the handling of the pipe

ENGINE

Caterpillar or Yanmar diesel engines are selected as the best fitting solution according to the size of the equipment all of them including integrated filtration system, and self-stretching fan towing seals.

Bending sets

EPE bending sets are manufactured with high quality steel, welded and reinforced in high stress areas for maximum strength and resistance. The internal surface is finished with tooling machines to guarantee the required accuracy and can also be proposed with Polyurethane lining upon request



Wheels

Small bending machines are mounted on wheels for easy touring and limited maintenance.



PLATFORM AND DASHBOARD

The position of the control platform makes EPE bending machine unique in terms of operating comfort and guarantees maximum visibility and low noise levels to the operator.

BENDING DATA

Maximum thickness bended in function of steel type - All data are expressed for *inch/mm*

Pipe Size	X52	X60	X70	X80	X100	Radius	Max.Degree*
4/112	2/50.80	2/50.80	2/50.80	2/50.80	2/50.80	3.65	140.50
6/168	2/50.80	2/50.80	2/50.80	2/50.80	2/50.80	3.96	132.30
8/219	2/50.80	2/50.80	2/50.80	2/50.80	2/50.80	4.57	114.60
10/273	2/50.80	2/50.80	2/50.80	2/50.80	2/50.80	6.10	85.80
12/324	2/50.80	2/50.80	2/50.80	2/50.80	1.44/36.52	7.62	69.00
14/355.6	2/50.80	1.75/44.45	1.44/36.52	1.19/30.17	0.88/22.23	10.37	51.00
16/406.4	1.38/34.93	1.13/28.58	0.94/23.82	0.81/20.64	0.63/15.88	11.57	45.30

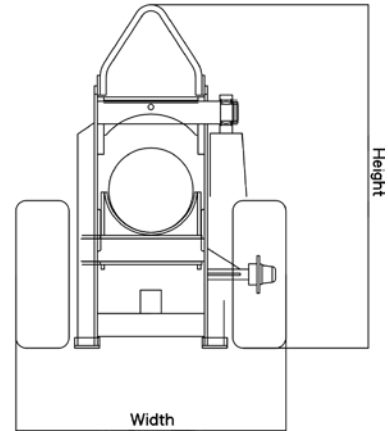
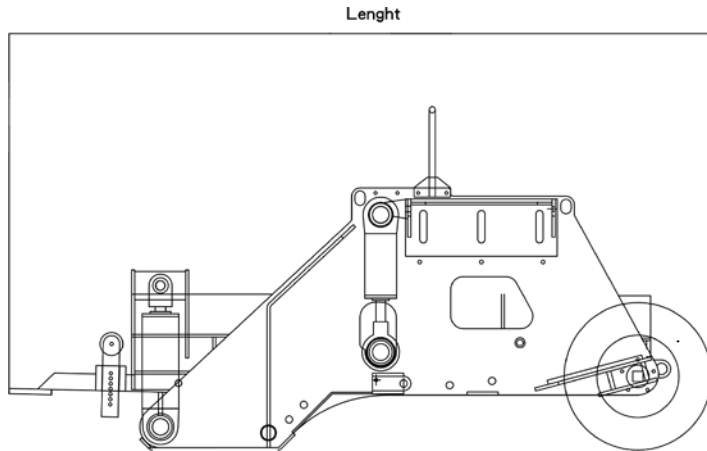
* per 12 meter pipe



OPTIONS

- **Bend Angle Measurement Device:** a wireless tool made of three components: two of them placed at both pipe ends and the remote control is held by the operator. Working temperature -40°C to 50°C. Device precision 1/50 grades.
- **Integrated Closed Cabin:** Upon request the bending machine can be equipped with a heated/conditioned cabin for the operator.
- **Artic Version:** Equipped with webasto and dedicated components to operate in the range -40°C/+40°C.

DIMENSIONS AND WEIGHTS



DIMENSIONS

Overall lenght	3500 mm
Width	1500 mm
Height over exhaust	2300 mm

SHIPPING DIMENSIONS

Overall lenght	3500 mm
Width	1500 mm
Height over exhaust	2300 mm

WEIGHTS

Operating weight	2600 kg	5780 lbs
------------------	---------	----------



EURO PIPELINE EQUIPMENT SPA

Strada Provinciale 6 bis
Località Cascine Draghi
29013 Carpaneto Piacentino (PC)
ITALY

Registered Office

via Pontaccio 8
20121 Milan
ITALY

Telephone +39 0523 852064

info@europipeline-equipment.com

www.europipeline-equipment.com



PIPELINE SOLUTIONS