



# PBM-3648

## PIPE BENDING MACHINE

- Robust and safe for the operator
- Wide bending range
- PTO available for mandrel feeding
- Wheel or rubber chain
- Equipped with winch for Pipe Handling
- Polyurethane lined bending sets available
- Yanmar or Caterpillar engine according to the size



PIPELINE SOLUTIONS  
EURO PIPELINE EQUIPMENT



# BASIC MACHINE DATA

## ENGINE

Model	IVECO N67MSTD
Net Flywheel power	129 kW
Governed speed	2000 rpm
Displacement	6 cylinder in-line

## REFILL CAPACITIES

Fuel tank	215L
Hydraulic oil tanks	500L

## HYDRAULIC SYSTEM

Maximum oil flow	240 liters/min
Pump pressure max	200 bar
Pump type	Gear Pump



### Hydraulic or pneumatic mandrels

In addition to the full range of pipe bending machines, EPE offers pipe bending mandrel to optimize the work of the bending machines in case of light wall thicknesses, avoiding the buckling of the during bending procedures.

We offer manual (up to 14") or hydraulic mandrels with up to two motors in a wide range of sizes which can be easily fed through the dedicated PTO outlet of the bending machine.

## HYDRAULIC CYLINDERS

Outboard cylinder	4x
Inboard cylinder	4x
Wedge cylinder	1x
Clamp cylinder	1x

## UNDERCARRIAGE

Track rollers/carrier rollers	4/1
Track shoes standard	500 mm

## WINCH

Model	hydraulic worm gear winch
Maximum operating pressure	200 bar
Maximum feed flow rate	160 lt/min
Rated line pull	15000 kg
Cable length	20 m
Cable diameter	19 mm
Maximum Speed	10,3 mt/min

## AUXILIARIES

Hydraulic PTO for mandrel	quick connect coupling 1/2"
---------------------------	-----------------------------

### Bending sets

EPE bending sets are manufactured with high quality steel, welded and reinforced in high stress areas for maximum strength and resistance. The internal surface is finished with tooling machines to guarantee the required accuracy and can also be proposed with Polyurethane lining upon request Bending sets are compatible with bending machines by other manufacturer



### ENGINE

Caterpillar or Yanmar diesel engines are selected as the best fitting solution according to the size of the equipment all of them including integrated filtration system, and self-stretching fan towing seals.



### OPERATOR'S PLATFORM

The position of the control platform makes EPE bending machine unique in terms of operating comfort and guarantees maximum visibility and low noise levels to the operator.



# BENDING DATA

Maximum tickness bended in function of steel type - All data are expressed for *inch/mm*

Pipe Size	X52	X60	X70	X80	X100	Radius (feet/meter)	Max.Degree*
36/914	2/50.80	2/50.80	2/50.80	2/50.80	1.94/49.2	115/35.1	40.8
38/965	2/50.80	2/50.80	2/50.80	2/50.80	1.75/44.5	115/35.1	29.7
40/1016	2/50.80	2/50.80	2/50.80	1.94/49.2	1.50/38.1	115/35.1	24.4
42/1067	2/50.80	2/50.80	2/50.80	1.75/44.5	1.31/33.3	115/35.1	21.6
44/1118	2/50.80	2/50.80	1.81/40	1.56/39.7	1.19/30.2	115/35.1	20.2
46/1168	2/50.80	1.88/47.6	1.63/41.3	1.38/34.9	1.09/27.7	115/35.1	18.9
48/1219	2/50.80	1.75/44.5	1.44/36.5	1.26/32	1/25.4	115/35.1	17.6

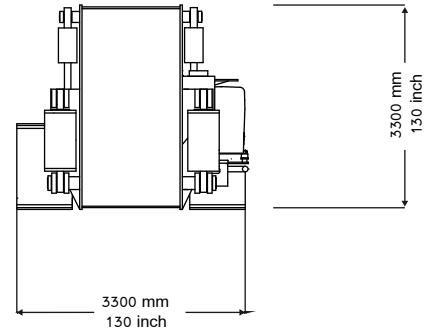
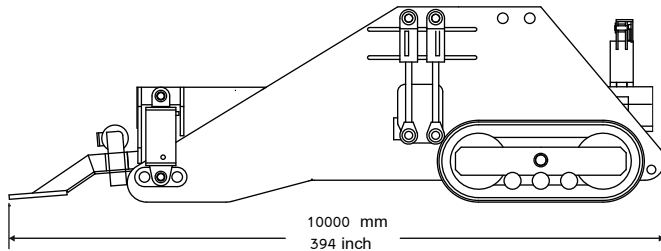
\* per 40 feet/12 meter joint



## OPTIONS

- **Bend Angle Measurement Device:** consists of three components: two of them placed at both pipe ends and the remote control is hold by the operator. Working temperature -40°C to 50°C. Device precision 1/50 grades.
- **Integrated Closed Cabin:** Upon request the bending machine can be equipped with a heated/conditioned cabin for operator.

# DIMENSIONS AND WEIGHTS



## DIMENSIONS

Overall length	10000 mm
Width	3300 mm
Height over exhaust	3300 mm

## TRANSPORT DIMENSIONS

Overall length	10000 mm
Width	3300 mm
Height over exhaust	3300 mm

## WEIGHTS

Operating weight	58000 kg	128.900 lbs
------------------	----------	-------------



### EURO PIPELINE EQUIPMENT SPA

Strada Provinciale 6 bis  
Località Cascine Draghi  
29013 Carpaneto Piacentino (PC)  
ITALY

### Registered Office

via Pontaccio 8  
20121 Milan  
ITALY

Telephone +39 0523 852064

[info@europipeline-equipment.com](mailto:info@europipeline-equipment.com)

[www.europipeline-equipment.com](http://www.europipeline-equipment.com)



PIPELINE SOLUTIONS  
EURO PIPELINE EQUIPMENT